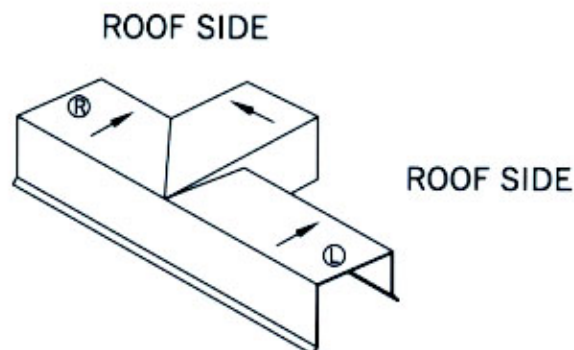


## MITERS - "QUICKLOC" WITH SEALANT ( Typical )

Tapered or Flat

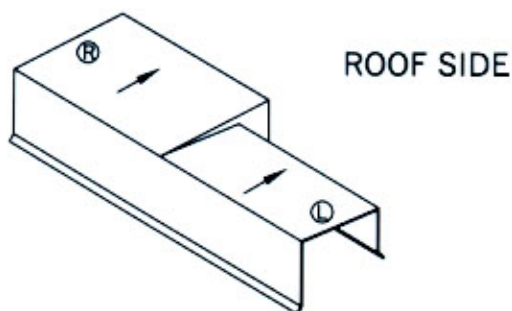
### "T" MITER

( Tapered Shown )



### STRAIGHT TRANSITION MITER

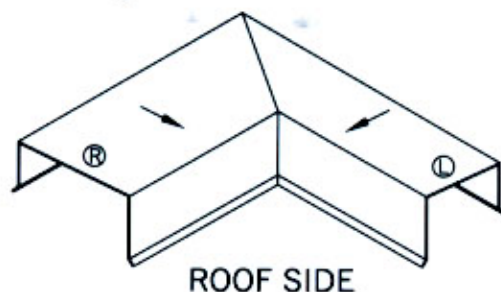
( Tapered Shown )



### TRANSITION MITER

(For Two Different Wall Widths )

( Tapered Shown )



 **NATIONAL**  
**SHEET METAL SYSTEMS, INC.**

[WWW.NATIONALSHEETMETAL.COM](http://WWW.NATIONALSHEETMETAL.COM)  
TOLL FREE : 1-877-GET-METL ( OFFICE )  
1-866-298-NSMS ( FAX )

2964 Alcove Drive, Scottdale, GA 30079-0923  
Ph# (404) 298-9710 Fax# (404) 298-9720