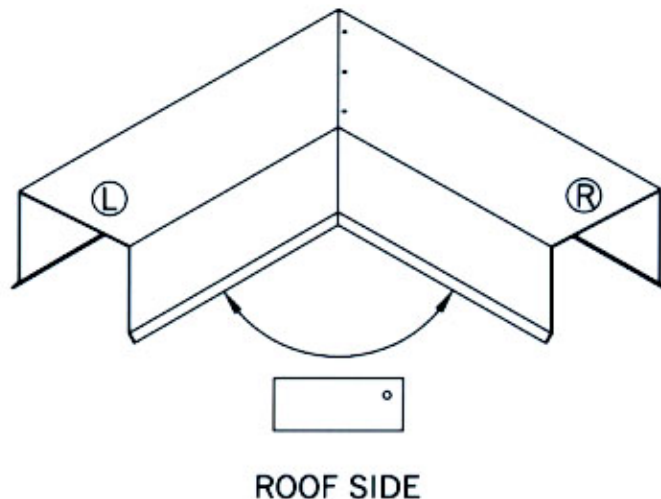
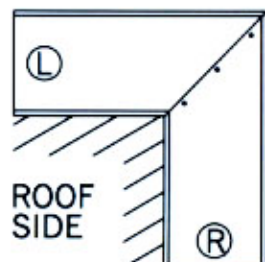


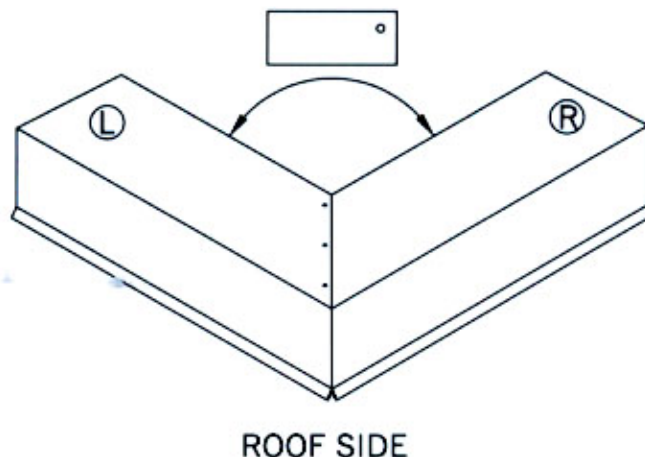
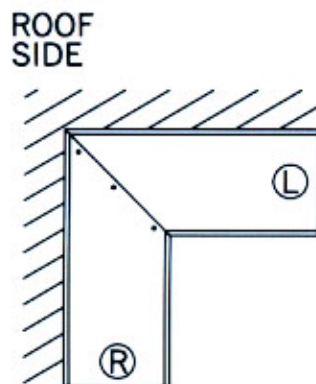
# MITERS - "QUICKLOC" WITH SEALANT ( Typical )

Tapered or Flat

## OUTSIDE MITER



## INSIDE MITER



NOTE : TREATED WOOD  
NAILERS RECOMMENDED.

CUSTOM ANGLES & SIZES AVAILABLE.

 **NATIONAL**  
SHEET METAL SYSTEMS, INC.

[WWW.NATIONALSHEETMETAL.COM](http://WWW.NATIONALSHEETMETAL.COM)  
TOLL FREE : 1-877-GET-METL ( OFFICE )  
1-866-298-NSMS ( FAX )

2964 Alcove Drive, Scottdale, GA 30079-0923  
Ph# (404) 298-9710 Fax# (404) 298-9720