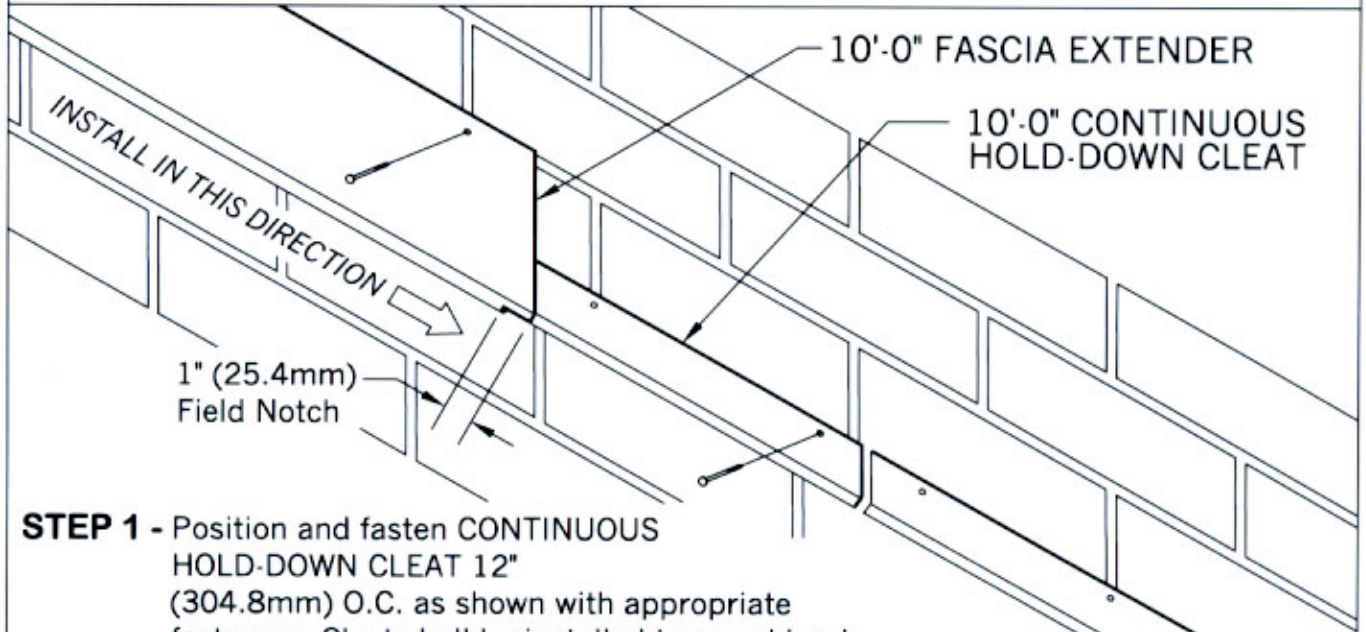


# FASCIA EXTENDER WITH LAP JOINT

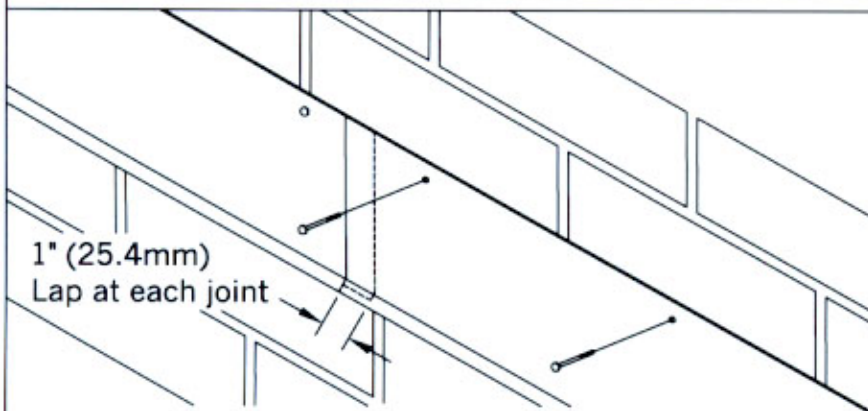
## Installation Instructions



**STEP 1** - Position and fasten CONTINUOUS HOLD-DOWN CLEAT 12" (304.8mm) O.C. as shown with appropriate fasteners. Cleat shall be installed true and level.

(304.8mm) O.C. as shown with appropriate fasteners. Cleat shall be installed true and level.

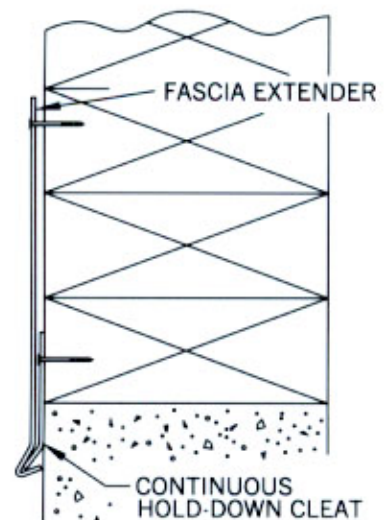
**STEP 2** - Hook drip edge of each FASCIA EXTENDER onto CONTINUOUS HOLD-DOWN CLEAT and fasten at top with appropriate fasteners at 12" (304.8mm) O.C.



**STEP 3** - Continue by installing FASCIA EXTENDER panels right to left ( as seen from rooftop) lap ends of panels 1" (25.4mm) at field notch. Field cut as necessary.

**CAUTION** : Remove protective film immediately after installation. Installers shall wear protective eyewear to prevent injury.

## TYPICAL INSTALLATION



 **NATIONAL**  
**SHEET METAL SYSTEMS, INC.**

[WWW.NATIONALSHEETMETAL.COM](http://WWW.NATIONALSHEETMETAL.COM)  
TOLL FREE : 1-877-GET-METL ( OFFICE )  
1-866-298-NSMS ( FAX )

2964 Alcove Drive, Scottdale, GA 30079-0923  
Ph# (404) 298-9710 Fax# (404) 298-9720