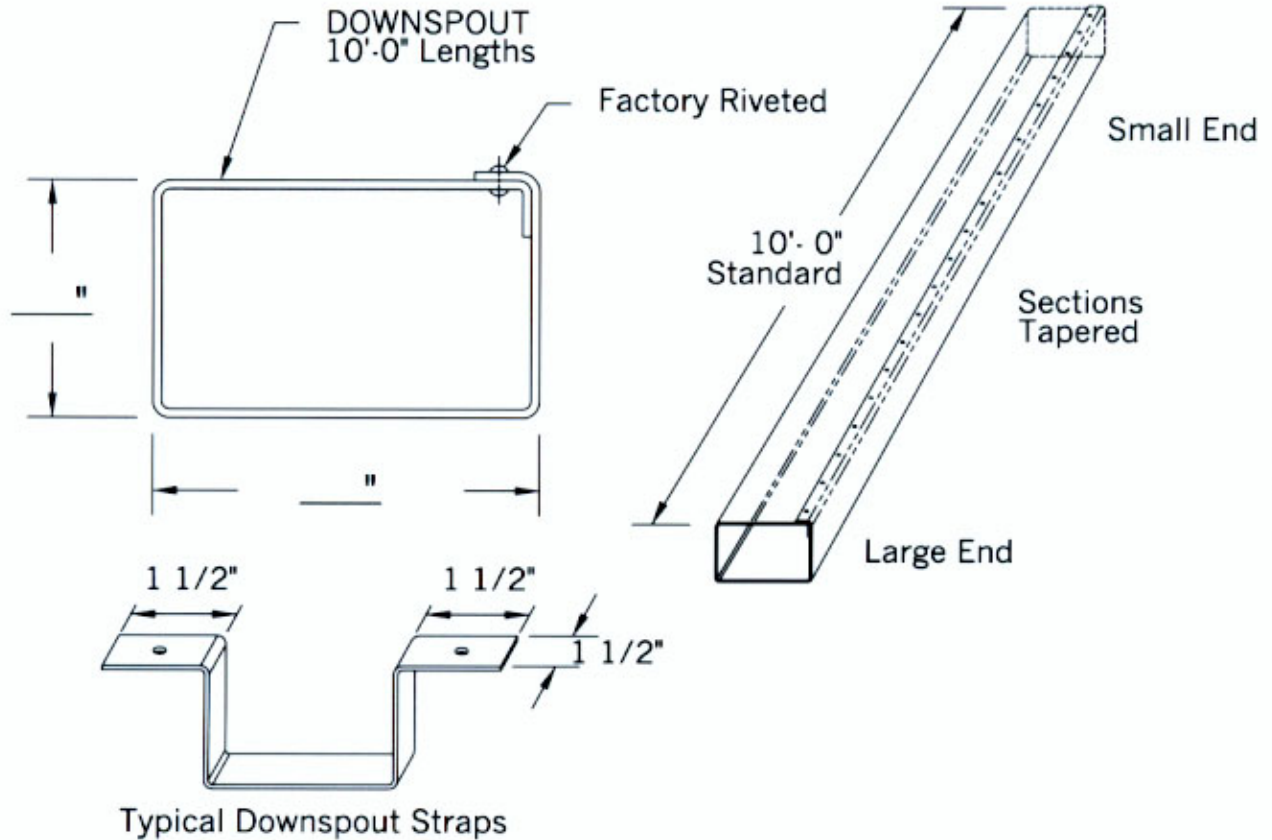


INDUSTRIAL DOWNSPOUT

Closed



FABRICATION APPROVAL:

Architect and /or contractors shall verify all dimensions, sizes, and quantities. All products to be installed in strict accordance with NSMS printed instructions.

Approved By: _____

Date: _____

QUANTITIES: _____ Lf (10'-0" pcs.)

_____ Downspout Straps

PROJECT:

ARCHITECT:

CONTRACTOR:

REPRESENTED BY:

DOWNSPOUT MATERIAL:

22 GA. 24 GA. STEEL
 .032" .040" .050" ALUMINUM

COLOR _____
 FINISH _____

 **NATIONAL**
SHEET METAL SYSTEMS, INC.

WWW.NATIONALSHEETMETAL.COM
TOLL FREE : 1-877-GET-METL (OFFICE)
1-866-298-NSMS (FAX)

2964 Alcove Drive, Scottdale, GA 30079-0923
 Ph# (404) 298-9710 Fax# (404) 298-9720