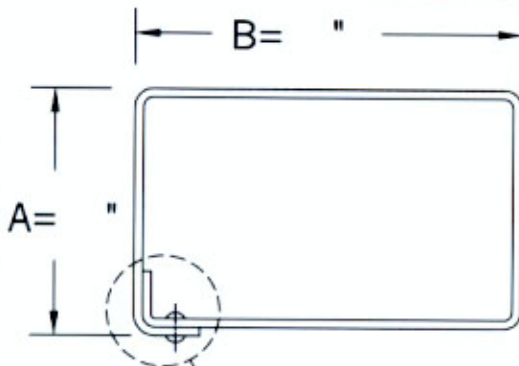
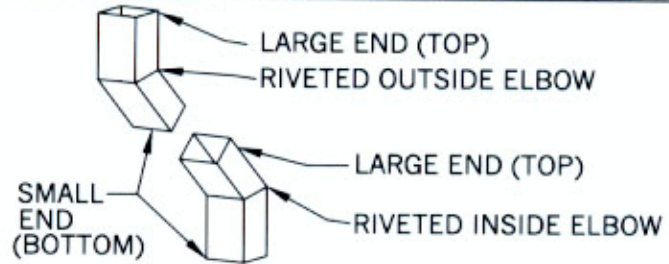


# INDUSTRIAL DOWNSPOUT

Closed Face

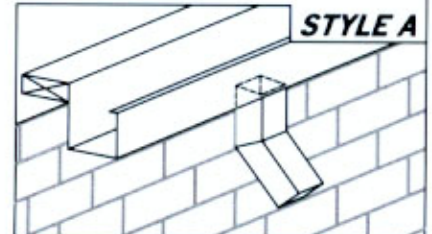


RIVETED SEAM

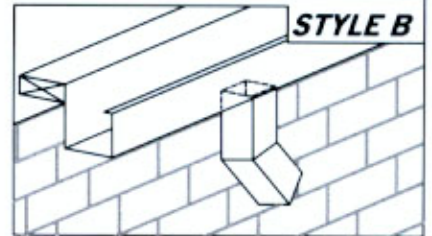


LARGE END (TOP)

TAPERED  
10'-0"  
(3.05 m)



STYLE A



STYLE B

SMALL END (BOTTOM)

## DOWNSPOUT STRAPS

(SELECT)

STYLE 1

STYLE 2



## FABRICATION APPROVAL:

Architect and /or contractors shall verify all dimensions, sizes, and quantities. All products to be installed in strict accordance with NSMS printed instructions.

Approved By: \_\_\_\_\_

Date: \_\_\_\_\_

QUANTITIES: \_\_\_\_\_ Lf ( 10'-0" pcs. )

\_\_\_\_\_ Downspout Elbows    \_\_\_\_\_ Downspout Straps    \_\_\_\_\_ Downspout Outlets

PROJECT:

ARCHITECT:

CONTRACTOR:

REPRESENTED BY:

DOWNSPOUT MATERIAL:

22 GA.     24 GA. STEEL

.032"     .040"     .050" ALUMINUM

COLOR \_\_\_\_\_  
FINISH \_\_\_\_\_

 **NATIONAL**  
**SHEET METAL SYSTEMS, INC.**

WWW.NATIONALSHEETMETAL.COM

TOLL FREE : 1-877-GET-METL ( OFFICE )

1-866-298-NSMS ( FAX )

2964 Alcove Drive, Scottsdale, GA 30079-0923

Ph# (404) 298-9710 Fax# (404) 298-9720