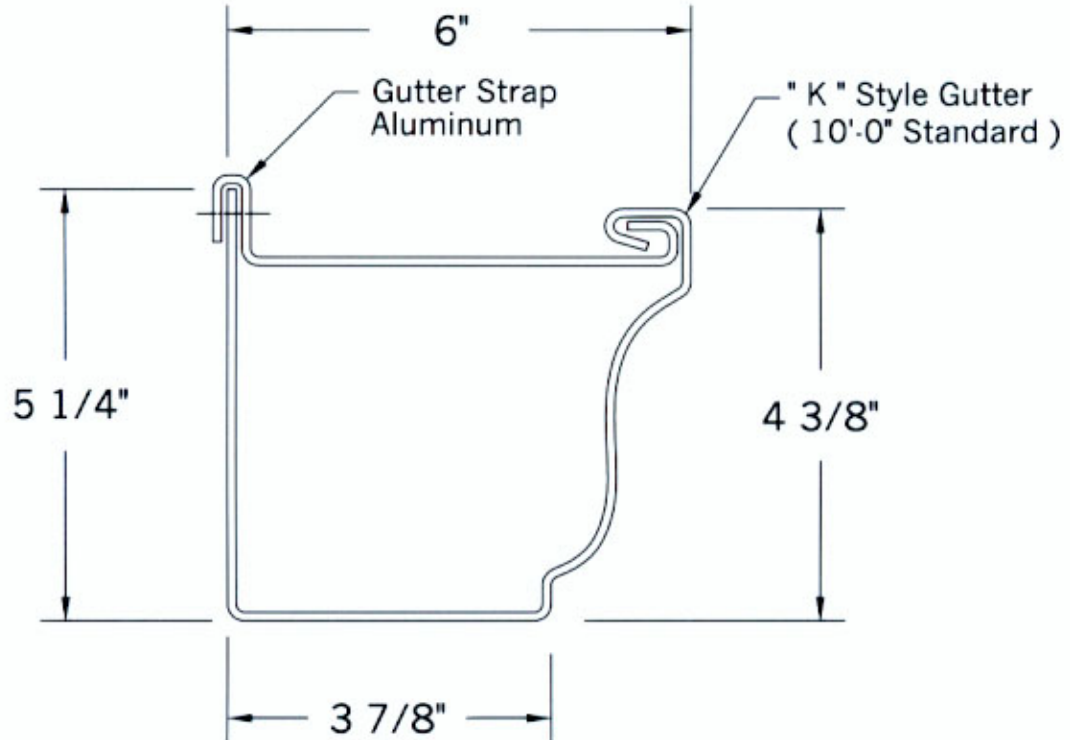


# 6" ROLL - FORMED " K " STYLE GUTTER

Continuous lengths available up to 40'-0"



## FABRICATION APPROVAL:

Architect and /or contractors shall verify all dimensions, sizes, and quantities. All products to be installed in strict accordance with NSMS printed instructions.

Approved By: \_\_\_\_\_ Date: \_\_\_\_\_

QUANTITIES: \_\_\_\_\_ GUTTER ( \_\_\_\_' - \_\_\_\_" Pcs. )

\_\_\_\_\_ Outside Strip Miters ( 90° )      \_\_\_\_\_ Inside Strip Miters ( 90° )

\_\_\_\_\_ Right End Caps      \_\_\_\_\_ Left End Caps      \_\_\_\_\_ Straps

PROJECT:

ARCHITECT:

CONTRACTOR:

REPRESENTED BY:

GUTTER MATERIAL:

24 GA. STEEL

.027"  .032" ALUMINUM

COLOR \_\_\_\_\_

FINISH \_\_\_\_\_

 **NATIONAL**  
SHEET METAL SYSTEMS, INC.

WWW.NATIONALSHEETMETAL.COM  
TOLL FREE : 1-877-GET-METL ( OFFICE )  
1-866-298-NSMS ( FAX )

2964 Alcove Drive, Scottdale, GA 30079-0923  
Ph# (404) 298-9710 Fax# (404) 298-9720