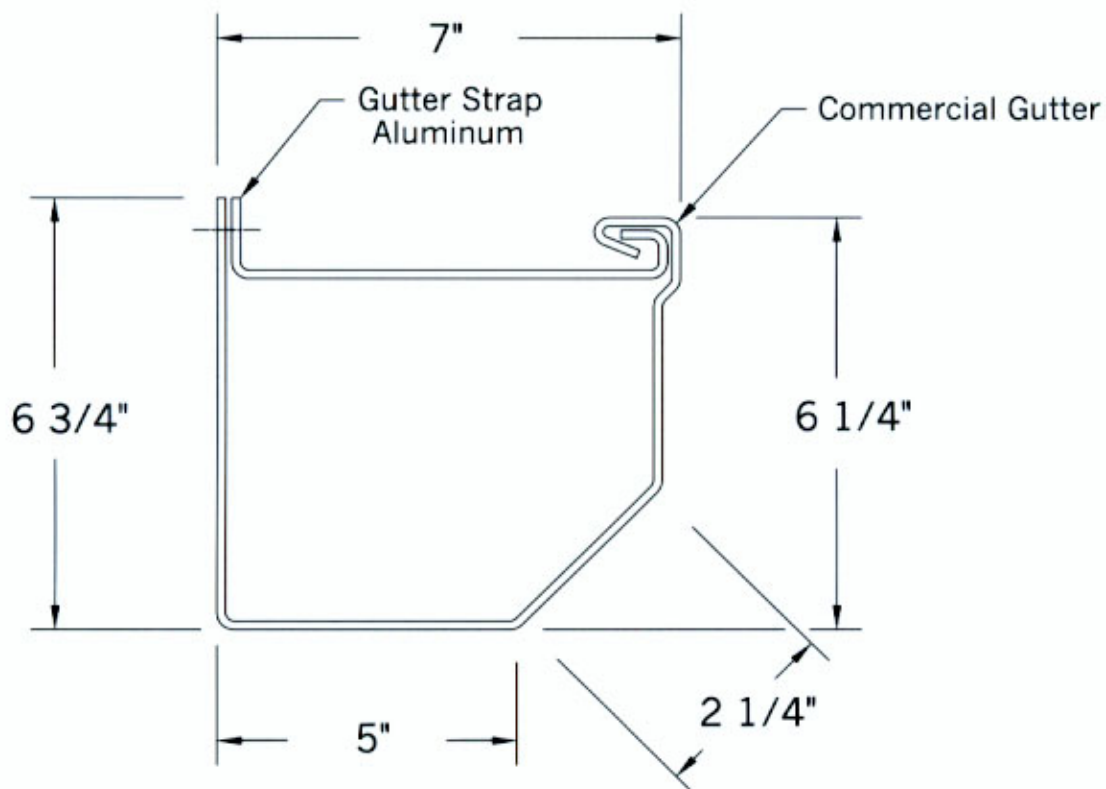


7" ROLL - FORMED COMMERCIAL GUTTER

Continuous lengths available up to 40'-0"



FABRICATION APPROVAL:

Architect and /or contractors shall verify all dimensions, sizes, and quantities. All products to be installed in strict accordance with NSMS printed instructions.

Approved By: _____ Date: _____

QUANTITIES: _____ GUTTER (____' - ____" Pcs.)
_____ Outside Miters (_____°) _____ Inside Miters (_____°)
_____ Right End Caps _____ Left End Caps _____ Straps

PROJECT:

ARCHITECT:

CONTRACTOR:

REPRESENTED BY:

GUTTER MATERIAL:

- 24 GA. STEEL
 .032" .040" ALUMINUM

COLOR _____
FINISH _____

 **NATIONAL**
SHEET METAL SYSTEMS, INC.

WWW.NATIONALSHEETMETAL.COM
TOLL FREE : 1-877-GET-METL (OFFICE)
1-866-298-NSMS (FAX)

2964 Alcove Drive, Scottdale, GA 30079-0923
Ph# (404) 298-9710 Fax# (404) 298-9720