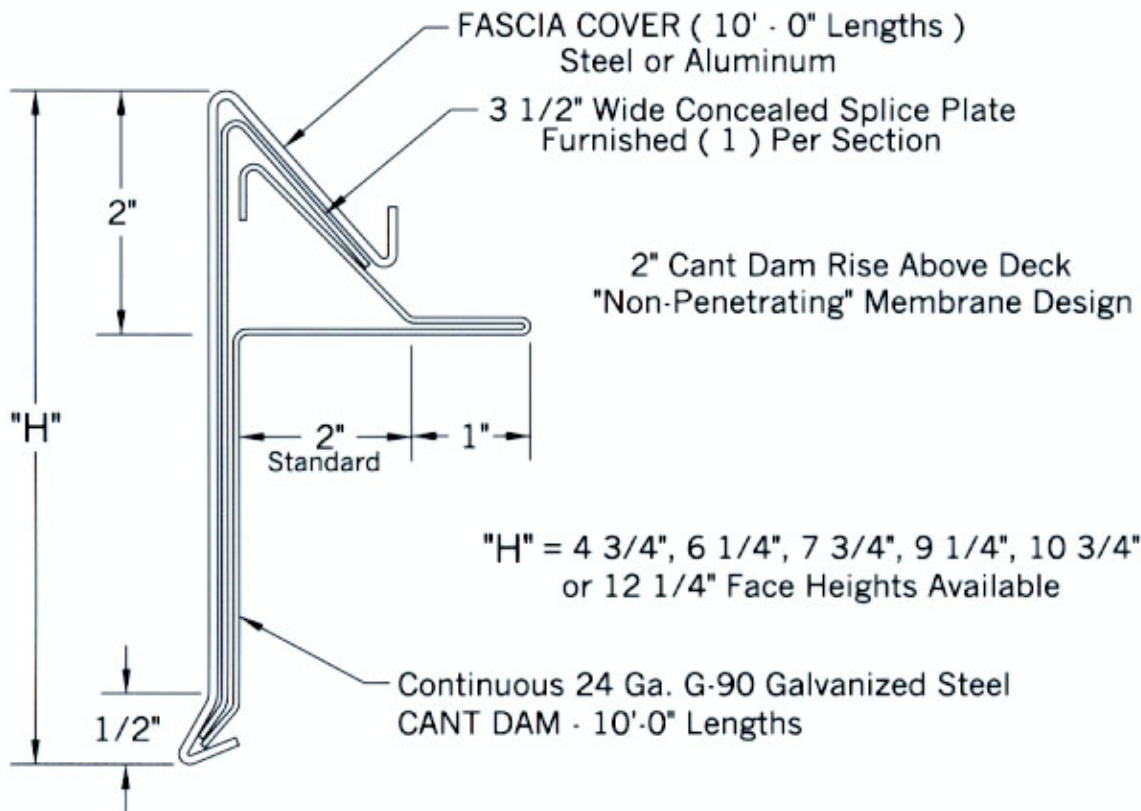


# "SNAP-ON" FASCIA - Type III

Face Fastened - For use with built-up roofing applications



## FABRICATION APPROVAL:

Architect and /or contractors shall verify all dimensions, sizes, and quantities. All products to be installed in strict accordance with NSMS printed instructions.

Approved By: \_\_\_\_\_ Date: \_\_\_\_\_

QUANTITIES: \_\_\_\_\_ FASCIA ( 10'-0" pcs. )  
 \_\_\_\_\_ OUTSIDE MITERS ( ° ) \_\_\_\_\_ SPILLOUT SCUPPERS \_\_\_\_\_ DOWNSPOUT SCUPPERS  
 \_\_\_\_\_ INSIDE MITERS ( ° ) \_\_\_\_\_ OVERFLOW SCUPPERS \_\_\_\_\_

PROJECT:

FASCIA MATERIAL:

ARCHITECT:

22 GA.     24 GA. STEEL  
 .032"    .040"    .050"    .063" ALUM.

CONTRACTOR:

COLOR \_\_\_\_\_  
 FINISH \_\_\_\_\_

REPRESENTED BY:

 **NATIONAL**  
**SHEET METAL SYSTEMS, INC.**

**WWW.NATIONALSHEETMETAL.COM**  
**TOLL FREE : 1-877-GET-METL ( OFFICE )**  
**1-866-298-NSMS ( FAX )**

2964 Alcove Drive, Scottdale, GA 30079-0923  
 Ph# (404) 298-9710 Fax# (404) 298-9720