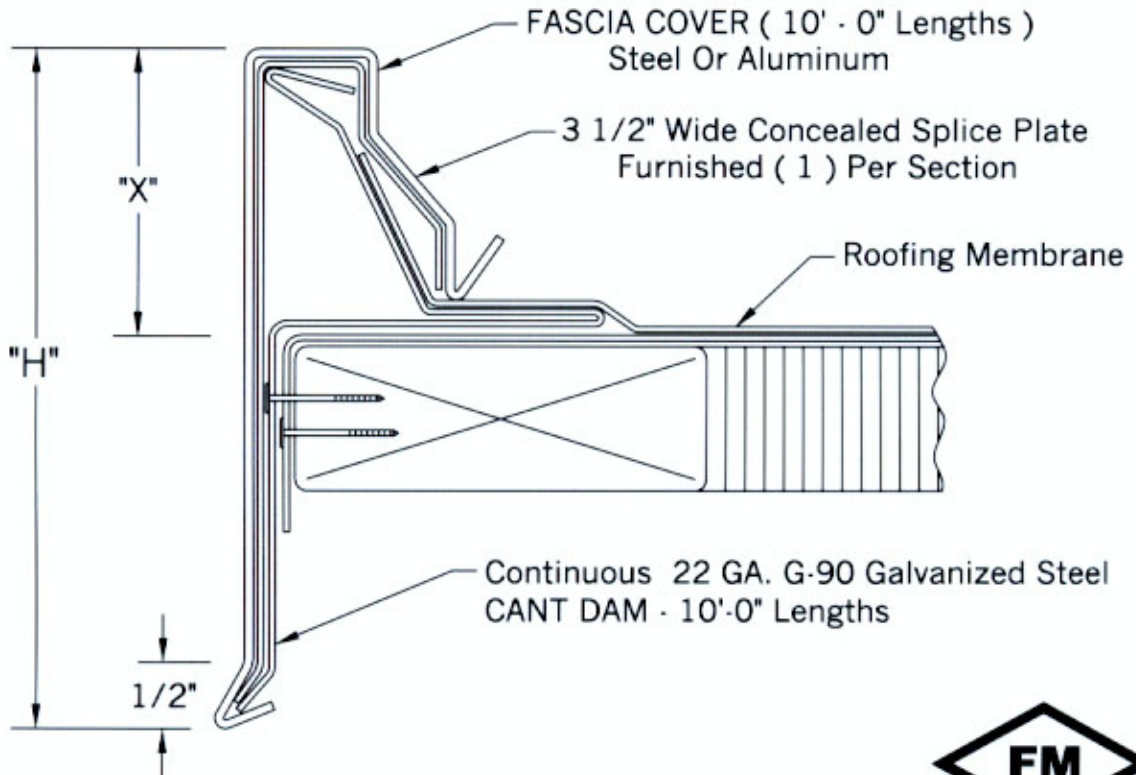


# "SNAP-ON" FASCIA - Type V

For use with built-up or modified roofing applications



"H" = 5", 6 1/2" or 8" Heights Available



## FABRICATION APPROVAL:

Architect and /or contractors shall verify all dimensions, sizes, and quantities. All products to be installed in strict accordance with NSMS printed instructions.

Approved By: \_\_\_\_\_ Date: \_\_\_\_\_

QUANTITIES: \_\_\_\_\_ FASCIA ( 10'-0" pcs. )  
 \_\_\_\_\_ OUTSIDE MITERS ( ° ) \_\_\_\_\_ SPILLOUT SCUPPERS \_\_\_\_\_ DOWNSPOUT SCUPPERS  
 \_\_\_\_\_ INSIDE MITERS ( ° ) \_\_\_\_\_ OVERFLOW SCUPPERS

PROJECT: \_\_\_\_\_  
 ARCHITECT: \_\_\_\_\_  
 CONTRACTOR: \_\_\_\_\_  
 REPRESENTED BY: \_\_\_\_\_

FASCIA MATERIAL:  
 22 GA.     24 GA. STEEL  
 .032"    .040"    .050"    .063" ALUM.  
 COLOR \_\_\_\_\_  
 FINISH \_\_\_\_\_



WWW.NATIONALSHEETMETAL.COM  
 TOLL FREE : 1-877-GET-METL ( OFFICE )  
 1-866-298-NSMS ( FAX )  
 2964 Alcove Drive, Scottdale, GA 30079-0923  
 Ph# (404) 298-9710 Fax# (404) 298-9720